

HÖLLER



COLD & HOT
AT YOUR FINGERTIP!



NEW!
Buffet in Silestone & Dekton

-5° TO +140° C REGULATED VIA DISPLAY

INNOVATION

All models are available in 3 versions:

1. Cold-Hot Plate, temperature from -5° to +140° C
2. Cold Plate, temperature from -5° to +15° C
3. Hot Plate, temperature from +20° to +140° C

MOUNTING OPTIONS

COMPACT UNIT (plug-in)

CONNECTION TO A CENTRAL COOLING SYSTEM

Function

Cold-Hot Plate for keeping food cold or hot.

Temperature -5° to +140° C
(at an ambient temperature of +24° C)

Form

GN1/1, GN2/1, GN3/1, GN4/1, round

Construction

Aluminum 12 mm thick

Optional: Gorilla Glass 2 mm
(9010 white or 9004 black) or stainless steel 1 mm

Technology

All electrical components are CE approved.

Power requirement: 230 Volts - 50/60 Hz

Heat capacity:

GN1/1 850 Watts GN2/1 1520 Watts

GN3/1 2340 Watts GN 4/1 3040 Watts

round 700 Watts

Cooling Capacity

GN1/1 70 Watts GN2/1 140 Watts

GN3/1 210 Watts GN 4/1 280 Watts

round 70 Watts

Surface Measurements

GN1/1 330 x 530 mm GN2/1 660 x 530 mm

GN3/1 990 x 530 mm GN4/1 1320 x 530 mm

round Ø 480 mm

Special sizes on request

(in stainless steel, 5 mm ESG- or Dekton)

Refrigerant

compact R600a, GN4/1 R290

centrally cooled R134a / R404a / R507a

Versions

compact (plug-in) or

connected to a central cooling

Accessories

Controller incl. 1 m cable, power cord 1,6 m

Requirements

For air flow and installation requirements, refer to the instruction manual.



-5° TO +140° C REGULATED VIA DISPLAY

INNOVATION

All models are available in 3 versions:

1. Cold-Hot Plate, temperature from -5° to +140° C
2. Cold Plate, temperature from -5° to +15° C
3. Hot Plate, temperature from +20° to +140° C

MOUNTING OPTIONS

Function

Cold-Hot Plate for keeping food cold or hot
Temperature -5° to +140° C
(at an ambient temperature of +24° C)

Form

GN1/1 - GN2/1 (Cold Plate and Cold-Hot Plate)
GN1/1 - GN2/1 - GN3/1 (Hot Plate)

Construction

Powder coated housing
(9005 jet black matt, 9010 white matt
or in stainless steel)
Optional: Gorilla Glass 2 mm (9010 white or
9004 black) or in stainless steel 1 mm
Aluminum 12 mm thick
(Cold Plate and Cold-Hot Plate)
multi-layer material 4,9 mm (Hot Plate)

Technology

All electrical components are CE approved.
Power requirement: 230 Volts - 50/60 Hz
Heat capacity:

GN1/1 850 Watts GN2/1 1520 Watts
GN3/1 2340 Watts

Cooling Capacity

GN1/1 70 Watts GN2/1 140 Watts

External Dimensions

370 x 570 x 155 mm
690 x 570 x 155 mm

Refrigerant

compact R600a

Versions

compact (plug-in) or
connected to the central cooling

Accessories

Controller incl. 1 m cable, power cord 1,6 m



-5° TO +140° C REGULATED VIA DISPLAY

INNOVATION

All models are available in 3 versions:

1. Cold-Hot Well, temperature from -5° to +140° C
2. Cold Well, temperature from -5° to +15° C
3. Hot Well, temperature from +20° to +140° C

MOUNTING OPTIONS

COMPACT UNIT (plug-in)

CONNECTION TO A CENTRAL COOLING SYSTEM

Function

Cold-Hot Well for keeping food cold or hot
Temperature -5° to +140° C
(at an ambient temperature of +24° C)

Form

GN1/1, GN2/1, GN3/1, GN4/1

Construction

1.5 mm stainless steel
can be heated dry (without warping)

Technology

All electrical components are CE approved.
Power requirement: 230 Volts - 50/60 Hz

Heat capacity:

GN1/1 900 Watts GN2/1 1500 Watts
GN3/1 2700 Watts GN 4/1 3000 Watts

Cooling capacity:

GN1/1 70 Watts GN2/1 140 Watts
GN3/1 210 Watts GN 4/1 280 Watts

Depth

Standard depth of 105 mm in Hygiene 2
special depths in Hygiene 1

Refrigerant

compact R600a
centrally cooled R134a / R404a / R507a

Versions

compact (plug-in) or
connected to a central cooling

Accessories

Controller incl. 1 m cable
power cord 1,6 m

Requirements

For air flow and installation requirements,
refer to the instruction manual.



ICE PLATE

INNOVATION

Cooking with ice cream – surprise your guests with a new, sensational experience. **-35° C Cold plate**

IN COUNTER AND ON COUNTER MODELS

MOBILE VERSIONS

Function

Ice Plate for the production of ice rolls.
Temperature variable down to -35°C at an ambient temperature of 30°C

Construction

12 mm Aluminum plate
With integrated cooling coils and 1.5 cm stainless steel well
Even temperature on the work surface
patented cable routing

Technology

All electrical components are CE approved.
Power requirement:
230 Volts, 50/60 Hz, 850 Watts

Refrigerant

R290

Surface Measurements

In Counter

Ice Plate 500/300 = 500 x 300 x 282 mm
Ice Plate 450 = 450 x 450 x 282 mm

On Counter

Ice Plate 500/300 = 530 x 330 x 282 mm
Ice Plate 450 = 480 x 480 x 282 mm

Cleaning

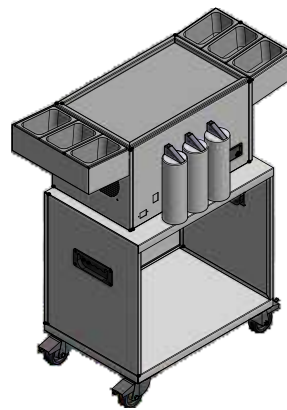
Please do not use
acidic cleaning agents!

Accessories

1 m controller cable
1.6 m power cord with Schuko plug

Requirements

The supply and exhaust air
for the compact units must be
guaranteed, the same as for a refrigerator.
For air flow and installation requirements,
refer to the operating instructions.



BASIC MODULE PLATES ON COUNTER

**HOELLER
WOOD LINE**

All models are available in 3 versions:

Module 1 Cold-Hot Plate, temperature from -5° to $+140^{\circ}$ C

Module 2 Cold Plate, temperature from -5° to $+15^{\circ}$ C

Module 3 Hot Plate, temperature from $+20^{\circ}$ to $+140^{\circ}$ C

COLD-HOT PLATE (plug-in)

COMPACT UNIT

Function

Cold-Hot Plate for keeping food cold or hot
Temperature -5° to $+140^{\circ}$ C regulated via display
(at an ambient temperature of $+24^{\circ}$ C)

Power Requirement: 230V

Heat capacity:

GN1/1 850 Watts

Cooling capacity:

GN1/1 70 Watts

Versions

beech nature (light), beech stained (dark)

further versions on request

dimensions: L x W x H - 580 x 405 x 153 mm

Optional: Gorilla Glass 2 mm (9010 white or 9004 black)
or stainless steel 1 mm



HOT PLATE (plug-in)

Function

Hot Plate for keeping food hot
Temperature -5° to $+140^{\circ}$ C regulated via display
(at an ambient temperature of $+24^{\circ}$ C)

Power Requirement: 230V

GN1/1 - 850 Watts

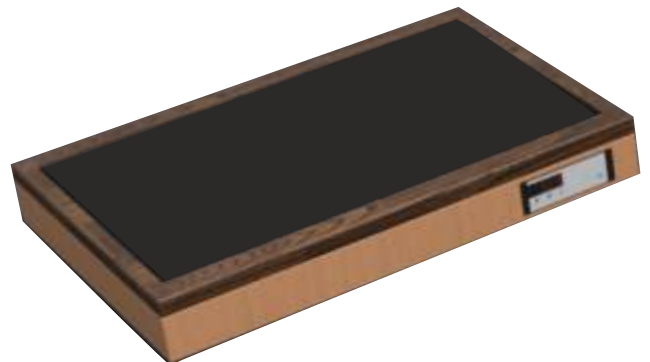
Versions

beech nature (light), beech stained (dark)

further versions on request

dimensions: L x W x H - 580 x 405 x 153 mm

Optional: Gorilla Glass 2 mm (9010 white or 9004 black)
or stainless steel 1 mm



BASIC MODULE WELLS ON COUNTER

**HOELLER
WOOD LINE**

All models are available in 3 versions:

Module 4 Cold-Hot Well, temperature from -5° to $+140^{\circ}$ C

Module 5 Cold Well, temperature from -5° to $+15^{\circ}$ C

Module 6 Hot Well, temperature from $+20^{\circ}$ to $+140^{\circ}$ C

COLD-HOT WELL (plug-in)

COMPACT UNIT

Function

Hot Well for keeping food cold or hot
Temperature -5° to $+140^{\circ}$ C regulated via display
(at an ambient temperature of $+24^{\circ}$ C)

Power Requirement: 230V

Heat capacity:

GN1/1 900 Watts

Cooling capacity:

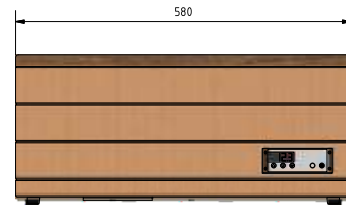
GN1/1 70 Watts

Versions

beech nature (light), beech stained (dark)
further versions on request
dimensions: L x W x H - 580 x 405 x 262 mm

Construction

stainless steel 1,5 mm, can be heated dry (without warping)



HOT WELL (plug-in)

Function

Hot Well for keeping food hot
Temperature $+20^{\circ}$ to $+140^{\circ}$ C regulated via display

Power Requirement: 230V

GN1/1 900 Watts

Versions

beech nature (light), beech stained (dark)
further versions on request
dimensions: L x W x H - 580 x 405 x 218 mm

Construction

stainless steel 1,5 mm, can be heated dry (without warping)



MODULE FOR EXTENSION

**HOELLER
WOOD LINE**

Module 7



Module 8



Module 9



Module 10



Module 11



Module 12



Module 13



Module 14



Module 15



HEATING LAMP

INNOVATION

Thermal output from **0** to **500 Watts**

LED is the future

durable – cost effective - ecological

Function

Thermal output of 0-500 Watts
light and heat in one device

Product Description

Heating Lamp LED 12 Volts
separately switchable

Construction

can be mounted on all structures

Technology

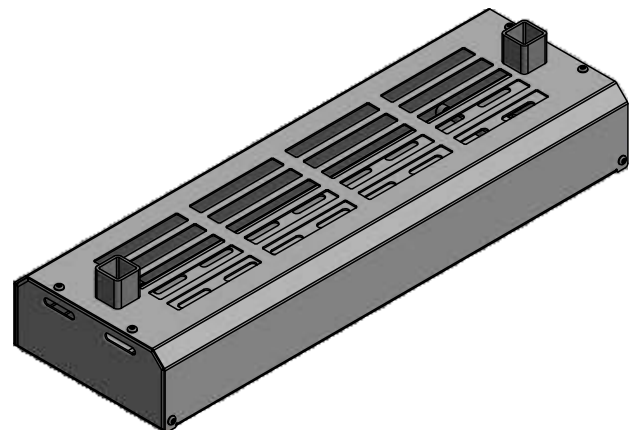
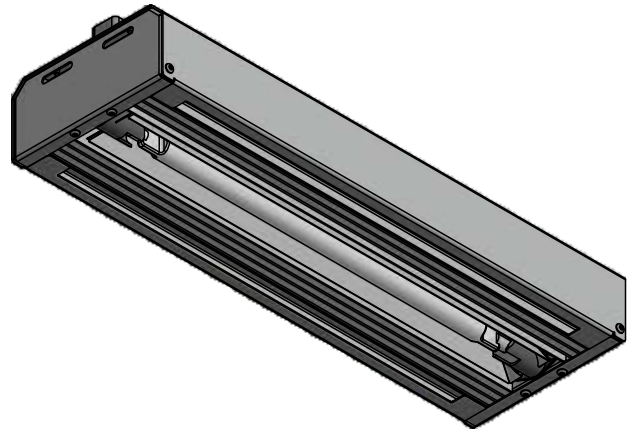
All electrical components are CE approved.
Power requirement: 500 Watts, 230 Volts
Versions: yellow or white light, IR dimmable

Dimensions

Length: 300 mm, 380 mm
special sizes on request

Requirements

Installation requirements can be found
in the instruction manual.



GORILLA GLASS

Product information

thin, chemically pre-stressed glass,
submerged into a 400° C hot salt bath

Advantages

- High Quality Surface
- High Break and Damage Resistance
- Weighs less than other glasses

THERMAL BRIDGE WITH SNEEZE GUARD

INNOVATION

Thermal output each heater from **0** to **500 Watts**

LED is the future

durable – cost effective - ecological

Function

Thermal output each heater of 0-500 Watts
light and heat in one device

Product Description

Thermal bridge incl. sneeze guard
with 12 Volts LED spotlight
all separately switchable

Form

GN1/1, GN2/1, GN3/1, GN4/1
Special sizes on request

Construction

Ready-to-connect table
or fixed mounting Version
in stainless steel or coloured powder coating

Technology

All electrical components are CE approved.

Power requirements:

GN1/1 500 Watts GN2/1 1000 Watts

GN3/1 1500 Watts GN 4/1 2000 Watts

Variants: yellow or white light, IR dimmable

Sneeze Guard Design

one side straight 8 mm TSG

both sides straight 8 mm TSG

one side curved 6 mm TSG

both sides curved 6 mm TSG

TSG = Toughened Safety Glass

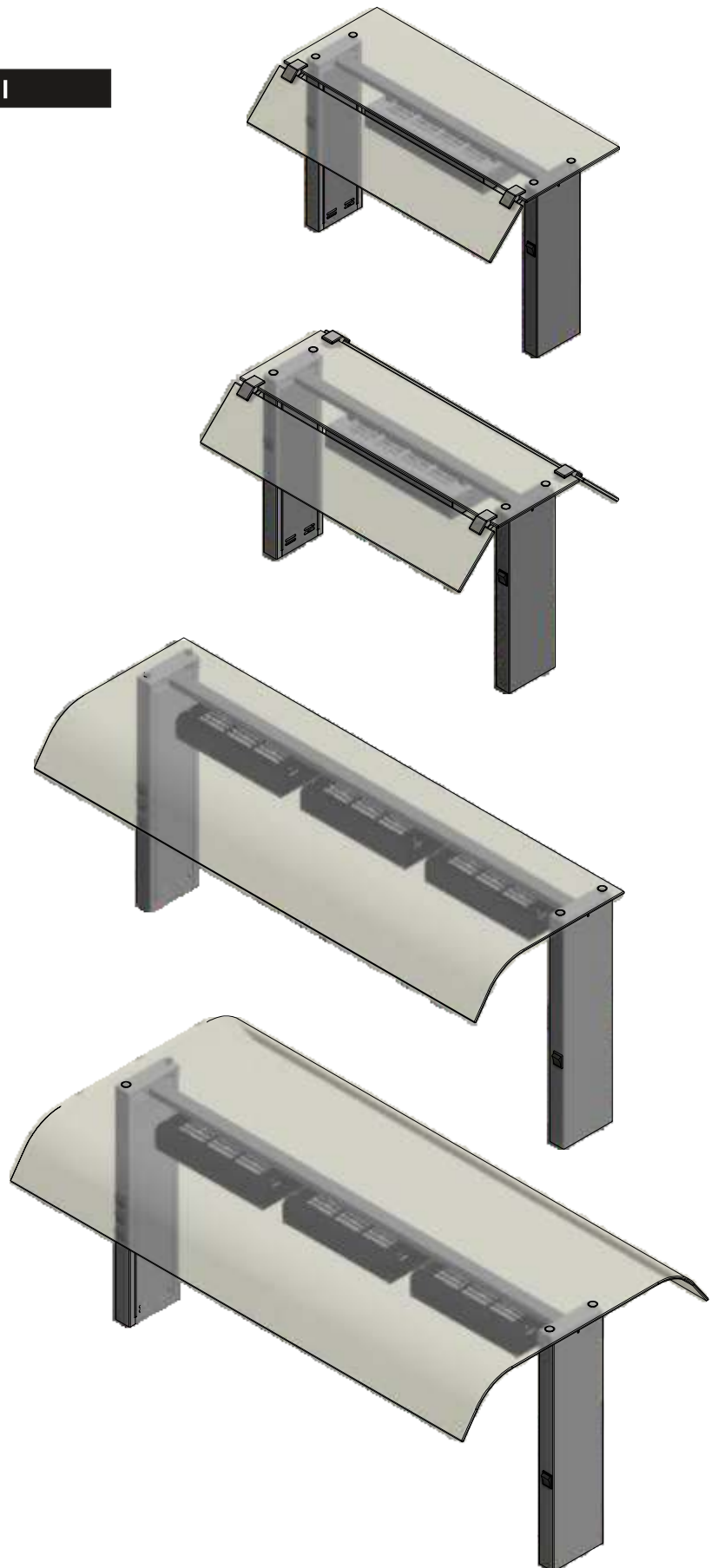
Accessories

1.6 m power cord with Schuko plug

Requirements

Installation requirements

can be found in the instruction manual.



THERMAL BRIDGE - ROUND PIPE WITH SNEEZE GUARD

INNOVATION

Thermal output each heater from **0** to **500 Watts**

LED is the future

durable – cost effective - ecological

Function

Thermal output each heater of 0-500 Watts
light and heat in one device

Product Description

Thermal bridge incl. sneeze guard
with 12 Volts LED spotlight
all separately switchable

Form

GN1/1, GN2/1, GN3/1, GN4/1
Special sizes on request

Construction

Table top ready to plug in or fixed mounting
Stainless steel or
coloured powder coating version

Technology

All electrical components are CE approved.
Power requirements:
GN1/1 500 Watts GN2/1 1000 Watts
GN3/1 1500 Watts GN 4/1 2000 Watts
Variants: yellow or white light, IR dimmable

Sneeze Guard Design

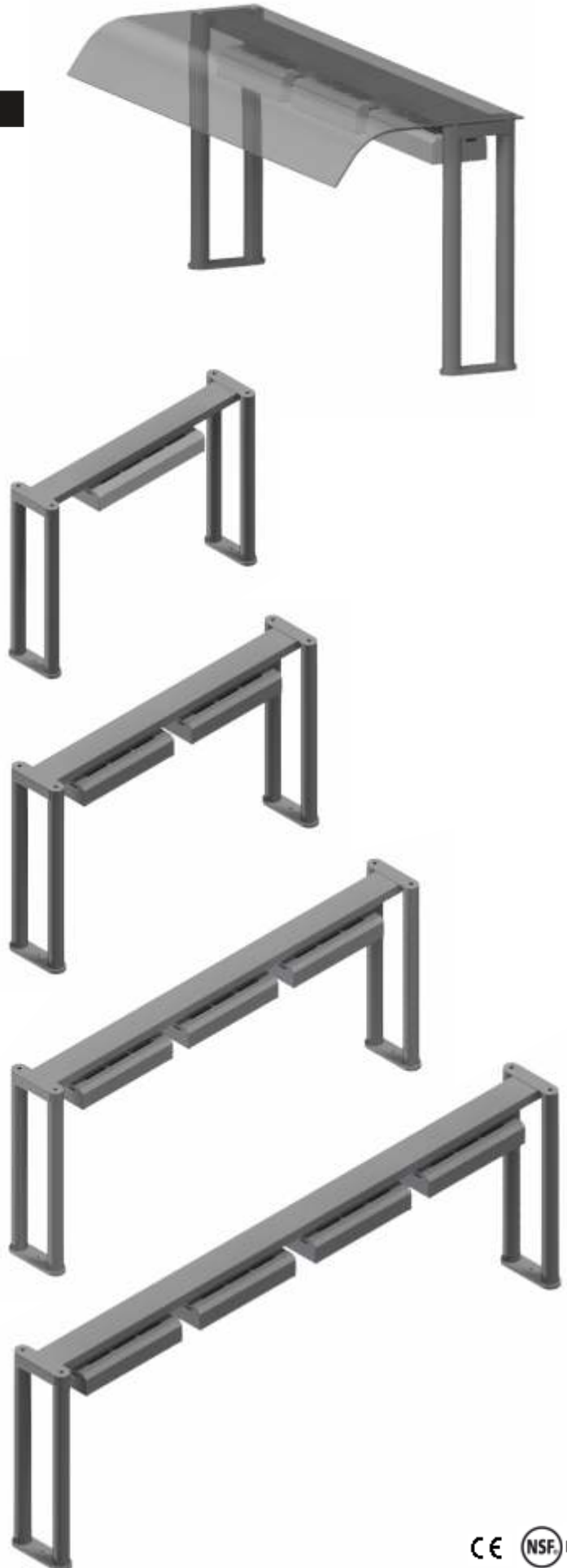
one side straight 8 mm TSG
both sides straight 8 mm TSG
one side curved 6 mm TSG
both sides curved 6 mm TSG
TSG = Toughened Safety Glass

Accessories

1.6 m power cord with Schuko plug

Requirements

Installation requirements
can be found in the instruction manual.



HEATING LAMP CLASSIC

INNOVATION

Heating Performance **250 Watts**

handmade

Description

Höller heating lamps are produced for the kitchen of tomorrow, and combine timeless design with components of highest quality.

Each lamp has been designed in cooperation with our strong partner, handmade out of high quality, anodised aluminum.

Function

Heating lamp to keep food hot via infrared heater.

Construction

Material: anodised aluminum

Colours: colour palette on request

Technology

All electrical components are CE approved.

Power requirements: 230 Volts – 250 Watts

Lamp: E27 IR bulb with max. 250 Watts

Outer Dimensions

Height: 250 mm

Diameter: 180 mm

Model

fixed length or
raise and lowering function

1 - Black glossy



2 - Black with matt finish



3 - Aluminium



4 - Chrome



5 - Brass



6 - Copper



HEATING LAMP FOCUS

INNOVATION

Heating Performance **250 Watts**

handmade

Description

Höller heating lamps are produced for the kitchen of tomorrow, and combine timeless design with components of highest quality.

Each lamp has been designed in cooperation with our strong partner, handmade out of high quality, anodised aluminum.

Function

Heating lamp to keep food hot via infrared heater.

Construction

Material: anodised aluminum
Colours: colour palette on request

Technology

All electrical components are CE approved.
Power requirements: 230 Volts – 250 Watts
Lamp: E27 IR bulb with max. 250 Watts

Outer Dimensions

Height: 250 mm
Diameter: 200-220 mm

Model

fixed length or
raise and lowering function

2 - Black with matt finish



8 - Mid Grey



9 - Aluminium



10 - Racing Green



11 - Cement Grey



12 - Copper



STRIP HEATER

Heating Performance **575 to 1050 Watts**

handmade

Description

Höller strip heaters are available in four different lengths, with or without light.

Table racks or chains for hanging up are available optionally.

Function

Strip Heaters to keep food hot, continuously adjustable.

Construction

Material: stainless steel

Heat Source: Quartz Heating Element

Installation: 30-40 cm above food

Technology

All electrical components are CE approved.

Voltage: 230 Volts

Performance: 575-1050 Watts

Outer Dimensions

With Light:

750 mm x 150 mm x 60 mm	575 W + 50 W
820 mm x 150 mm x 60 mm	575 W + 50 W
1225 mm x 150 mm x 60 mm	750 W + 50 W
1430 mm x 150 mm x 60 mm	1000 W + 50 W

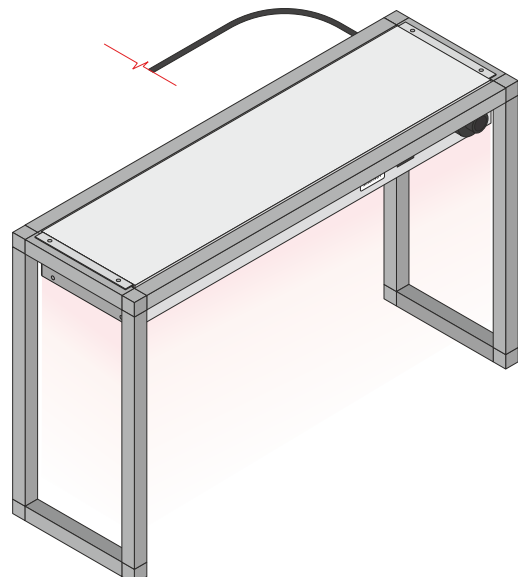
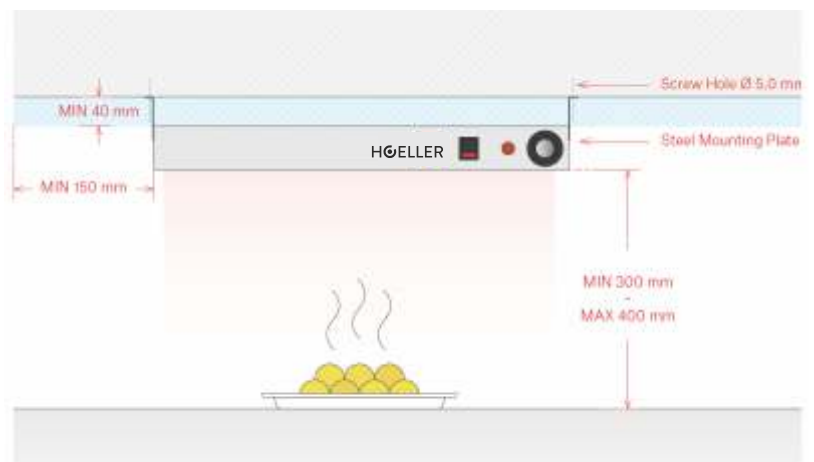
Without Light:

570 mm x 150 mm x 60 mm	575 W
640 mm x 150 mm x 60 mm	575 W
945 mm x 150 mm x 60 mm	750 W
1250 mm x 150 mm x 60 mm	1000 W

Accessories

Table Rack

Chain for hanging up





HOELLER

www.hoeller-grosskuechen.com
sales@hoeller-trading.com
T +43 7472 233 29

Peter-Mitterhofer-Straße 4
A-3300 Amstetten

Your Specialist - from canteen kitchen to snacks:

*Cold-Hot Plate / Cold-Hot Well -5°C to +140°C, Ice-Plate, Mobile Plate Warmer, Vitamix, Atoll-Speed,
Zummo, PlateMate, Eco-Burner*